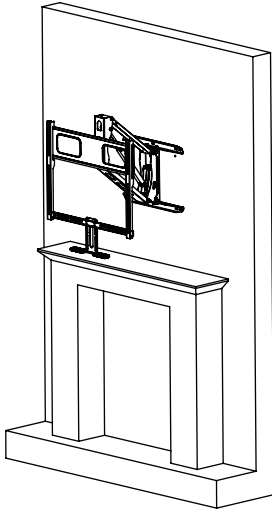




# Installation Instruction

## Above Fireplace Pull Down TV Mount



### INTRODUCTION :

Mount your television conveniently above your fireplace using this Above Fireplace Mount.

The mount allows you to keep the TV safely up and out of the way when not in use, then you can pull it down to eye level for comfortable viewing

Model	461825/461276
Display size	40"-70"
Minimum display weight	16.5 lbs
Maximum display weight	78 lbs
Minimum VESA size	200 x 200 mm
Maximum VESA size	600 x 400 mm
Swivel range	+/- 45°
Tilt range	+5°/-15°
Rotation range	+/- 6°

## IMPORTANT SAFETY INSTRUCTIONS

Please read through these instructions completely to be sure you're comfortable with this easy install process. Also check your TV owner's manual to see if there are any special requirements for mounting your TV.

If you do not understand these instructions or have doubts about the safety of the installation, assembly or use of this product, contact your Customer Service.

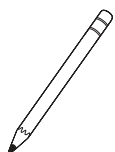
**CAUTION:** Avoid potential personal injuries and property damage!

- This product is designed for use in wood stud, solid concrete, and concrete block walls - DO NOT install into drywall alone!!
- Make sure that mounting screws are anchored into the center of the stud. Use a stud finder to locate the edge of the wood stud, then draw stud center line in the middle point of the edges.
- The wall must be capable of supporting five times the weight of the TV and mount combined.
- Do not use this product for any purpose not explicitly specified by manufacturer.
- Manufacturer is not responsible for damage or injury caused by incorrect assembly or use.
- The temperature at the front of the fireplace mantle must never exceed 45°C (113°F)

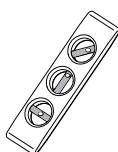
## TOOLS NEEDED FOR ASSEMBLY



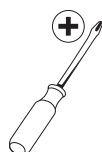
Wrench



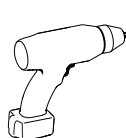
Pencil



Level



Screw driver



Electric Drill



Socket Wrench

Wood Stud Install



Stud Finder



5.5 mm (7/32 in.)

Wood Drill Bit

Concrete Install



10 mm (3/8 in.)

Masonry Drill Bit



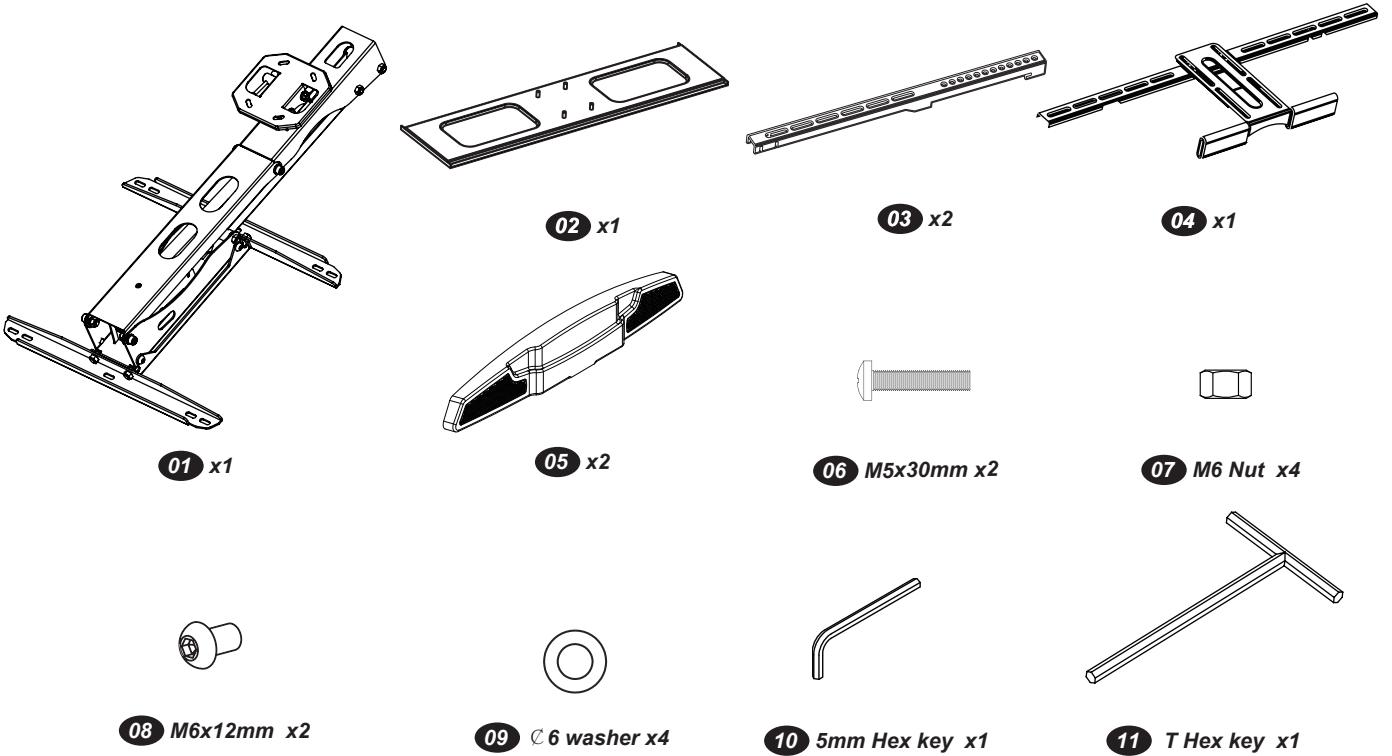
Hammer

# PART INCLUDED

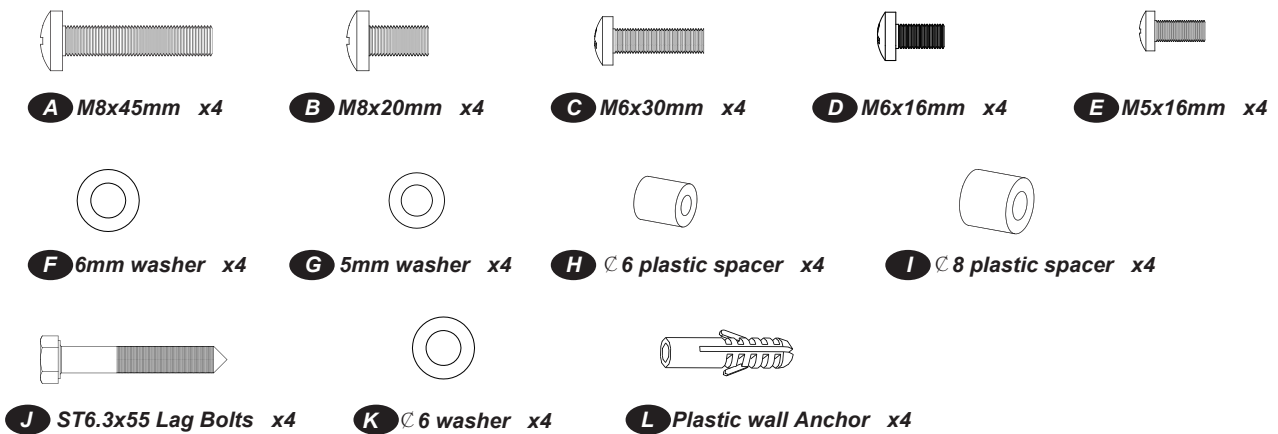
**! WARNING:** This product contains small items that could be a choking hazard if swallowed. Before starting assembly, verify all parts are included and undamaged. If any parts are missing or damaged, do not return the damaged item to your dealer; contact Customer Service. Never use damaged parts!

**NOTE:** Not all hardware included will be used.

## Parts for assembly



## Hardware



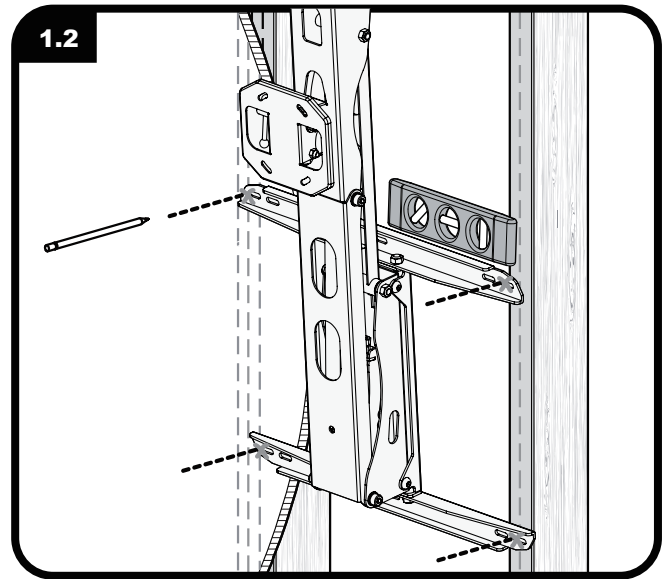
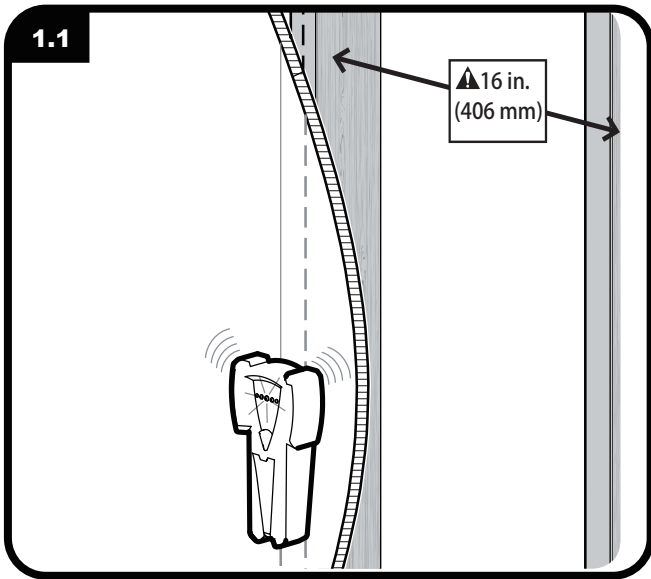
# ASSEMBLY

## STEP 1.1: Attach Wall Plate to Wall ( Wood Stud Option )

**! CAUTION:** Avoid potential personal injuries and property damage!

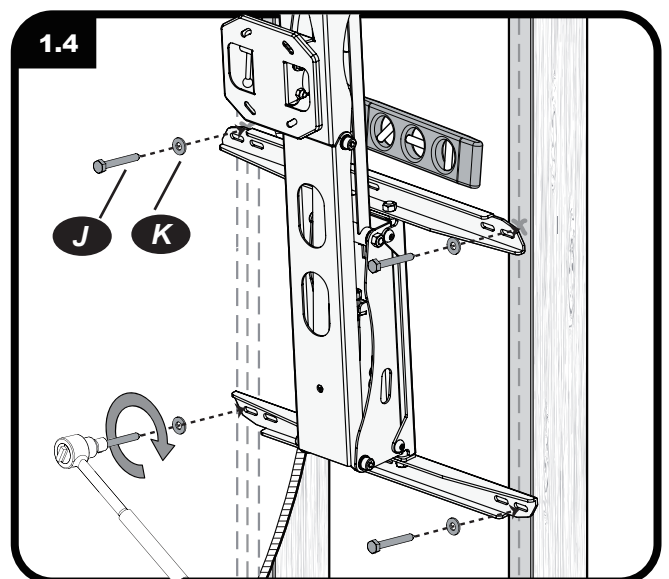
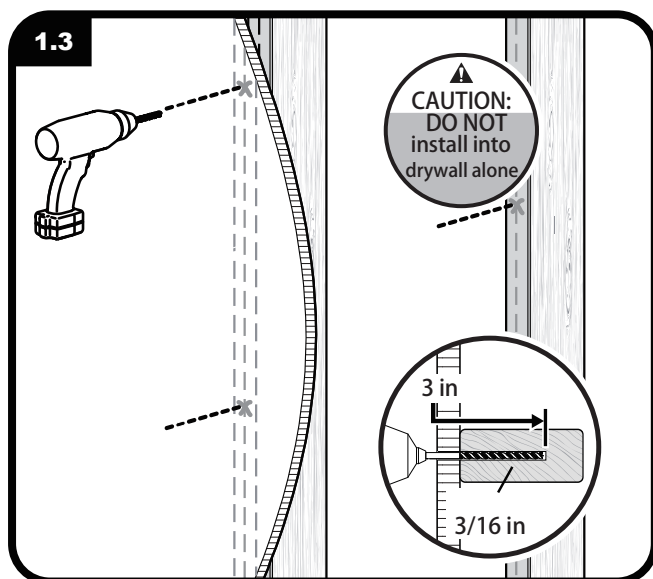
- Drywall covering the wall must not exceed 5/8 in.
- Minimum wood stud size: 2 x 4 in. or 38 x 89 mm. (1.5 x 3.5 in)
- Horizontal space between fasteners: 16 in.

1: Locate your stud. Verify and mark the center of the stud by finding the stud edges using a pencil and an edge-to-edge stud finder. ( fig 1.1 1.2 )



2: Drill pilot holes using a 3/16 in. diameter drill bit. ( fig 1.3 )

3: Install wall plate assembly using four lag bolts **J** and Washer **K**. Tighten the lag bolts **J** only until they are pulled firmly against the wall plate assembly. Do not over tighten. Over tightening can damage the screw, reducing it's holding power.



**! CAUTION:** Avoid potential personal injury or property damage! All lag bolts **MUST BE** firmly tightened to prevent unwanted movement of the wall plate assembly. Ensure the wall plate is securely fastened to the wall before continuing on to the next step 2.

## STEP 1.2: Attach Wall Plate to Wall ( Solid Concrete or Concrete Block Option )

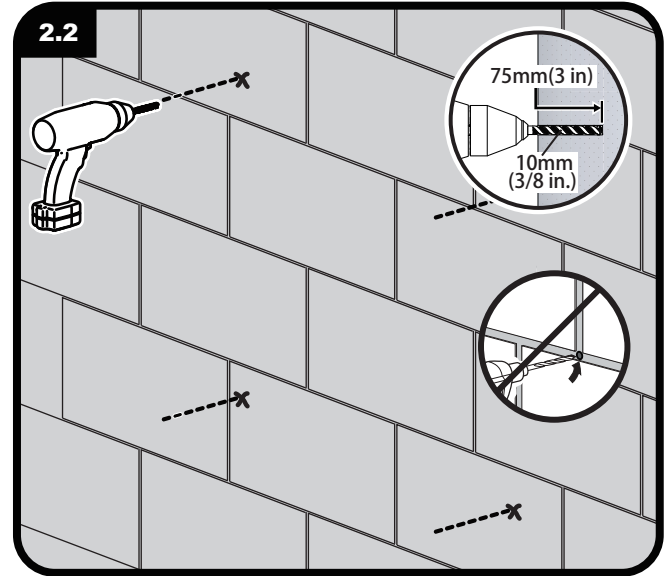
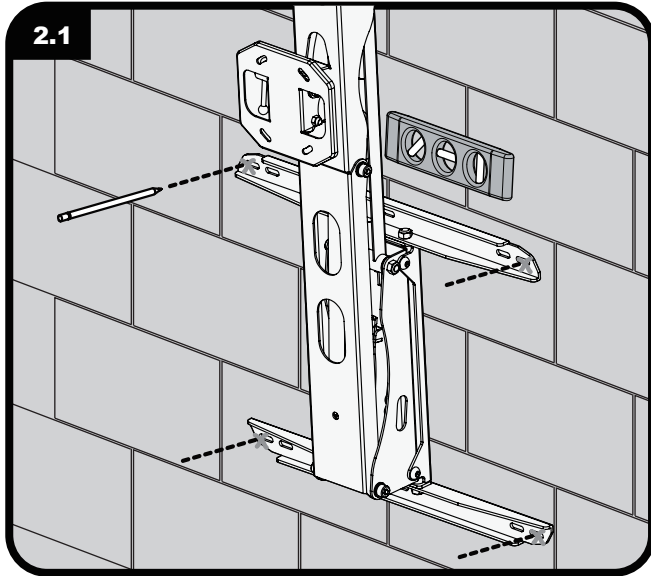
**!** **CAUTION:** Avoid potential personal injuries and property damage!

- Mount the wall plate assembly directly onto the concrete surface
- Minimum solid concrete thickness: 8 in
- Minimum concrete block size: 8 x 8 x 16 in.

1. Position the wall plate template on the wall at your desired height. Level the wall plate and mark the hole locations. (fig 2.1)

2. Drill four pilot holes using a 3/8 in. diameter masonry drill bit. (fig 2.2)

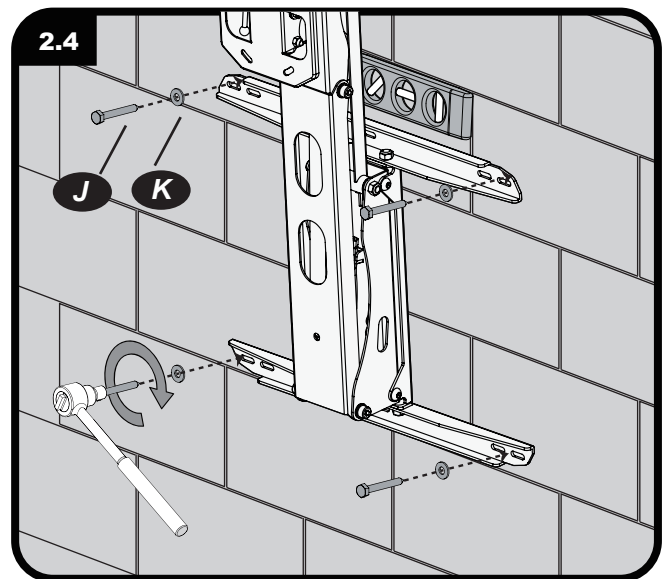
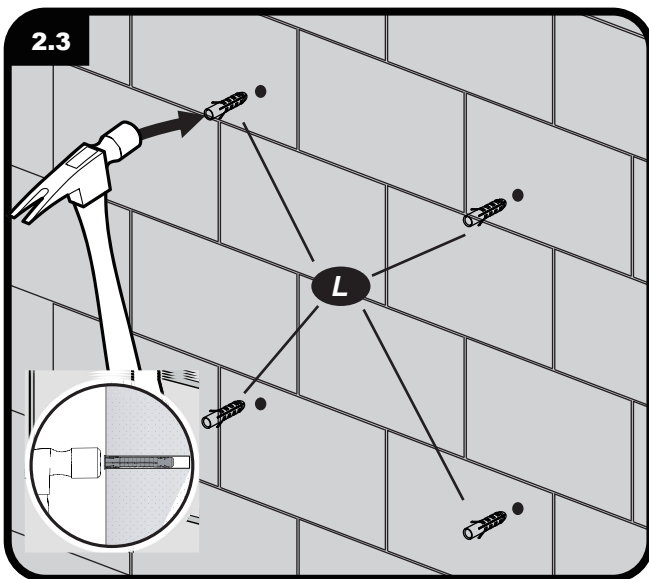
**IMPORTANT:** Pilot holes must be drilled to a depth of 3 in. Never drill into the mortar between blocks.



3. Insert four anchors **L**. Be sure the anchors **L** are seated flush with the concrete surface. (fig 2.3)

4. Install wall plate assembly using four lag bolts **J** and four washers **K**. Tighten the lag bolts **J** only until they are pulled firmly against the wall plate assembly, but do not over tighten.

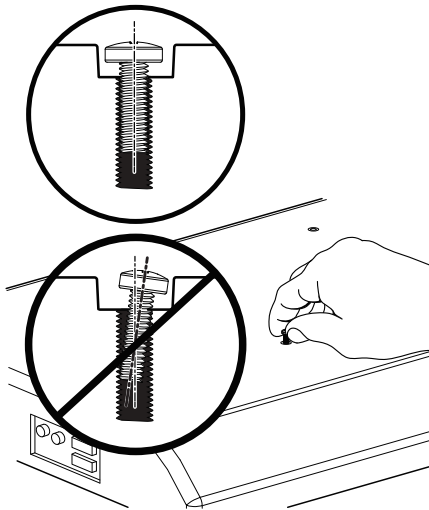
Over-tightening can damage the screw, reducing its holding power. (fig 2.4)



## STEP 2: Attach TV Bracket to TV

### 1. Select TV Screw Diameter

Hand thread screws into the threaded inserts on the back of your TV to determine which screw diameter (M5, M6 or M8) to use.

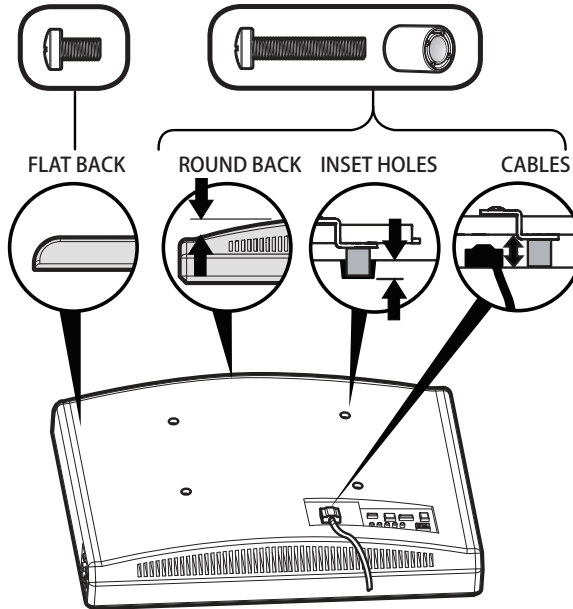


### 2. Select TV Screw Length

If your TV has a flat back AND you want your TV closer to the wall, use the shorter screws.

Spacers and longer screws are supplied to accommodate:

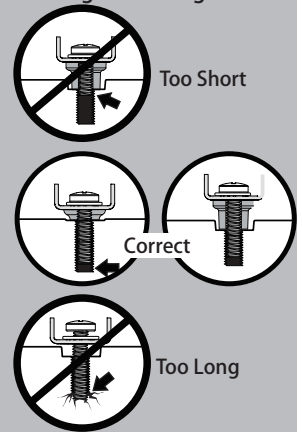
- Round/irregular back TVs
- TVs with inset mounting holes
- Extra space needed for cables



#### ⚠ CAUTION:

Verify adequate thread engagement with your screw/washer/spacer combination AND TV bracket

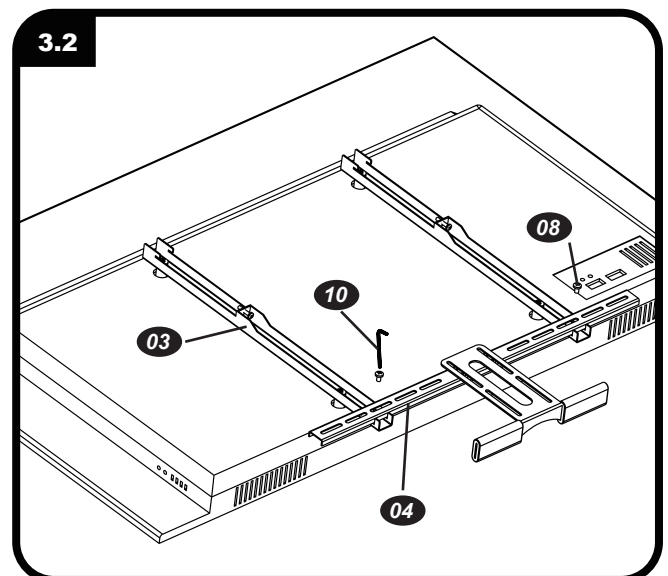
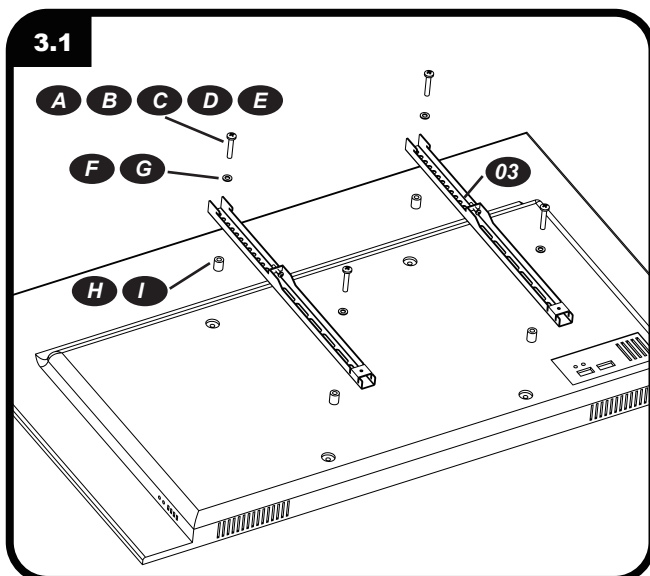
-Too short will not hold the TV.  
-Too long will damage the TV.



3. Attach the bracket **03** to the back of the TV using the appropriate screws/washers (Flat Back) or spacer/screw/washer (Round Back / Extra Space). (fig 3.1)

**IMPORTANT:** Ensure TV bracket is securely fastened before moving on to the next step.

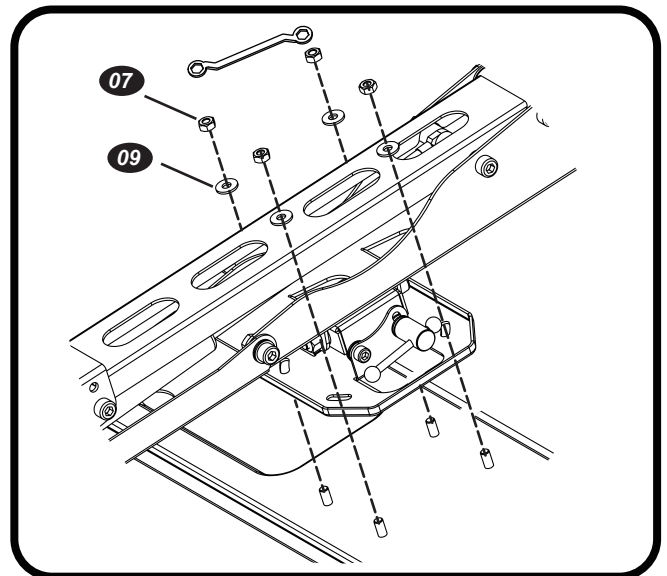
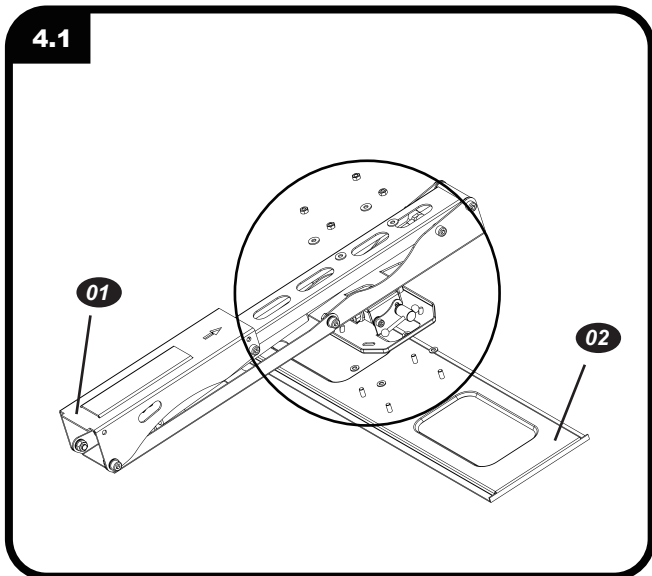
4. Place a towel or blanket on a flat surface, then place your television face down on it. Using the two screws **08**, attach the connecting rod **04** to the bracket **03**. (By 5mm hex key **10**) (fig 3.2)



### STEP 3: Assemble Your Bracket

Assemble front panel **02** onto TV bracket **01** as illustrated. (fig 4.1)

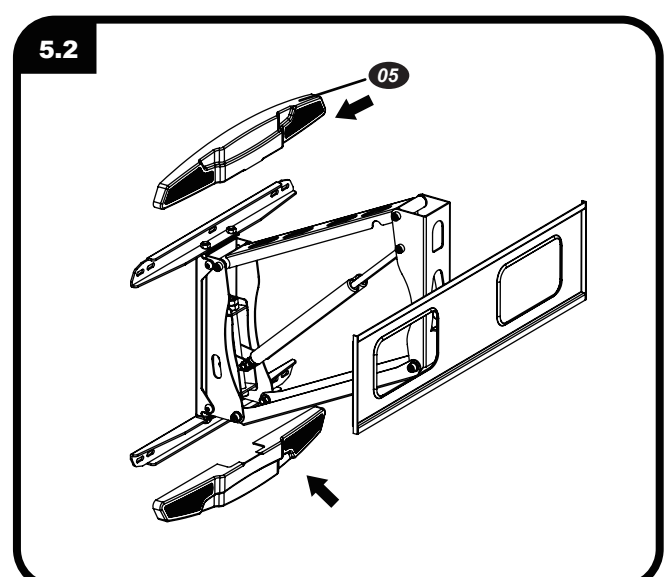
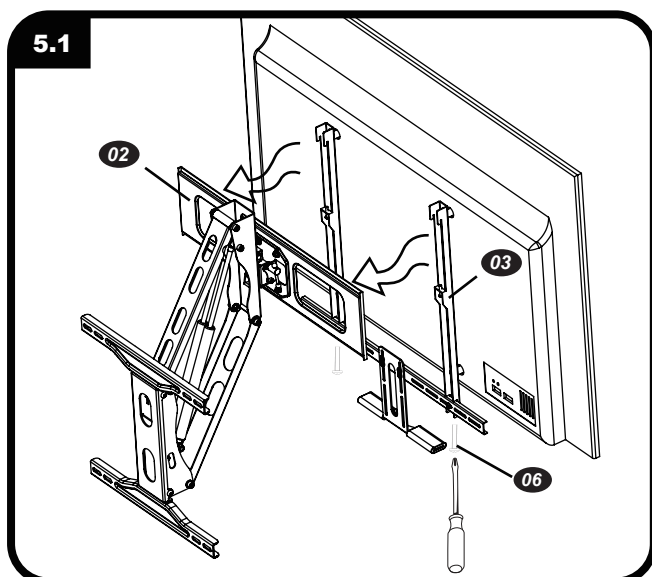
Secure using four washer **09** and four nut **07** in the corner holes shown.



### STEP 4: Hang TV onto Bracket

Two people lift the TV and hang the bracket **03** on the front panel **02**. Then use a Philips screwdriver to tighten the two locking screws, which secures the bracket to the front panel (fig 5.1)

Attach the wall plate cover **05** to the wall board. (fig 5.2)



**HEAVY!** You may need assistance with this step.

# TV ADJUSTMENTS

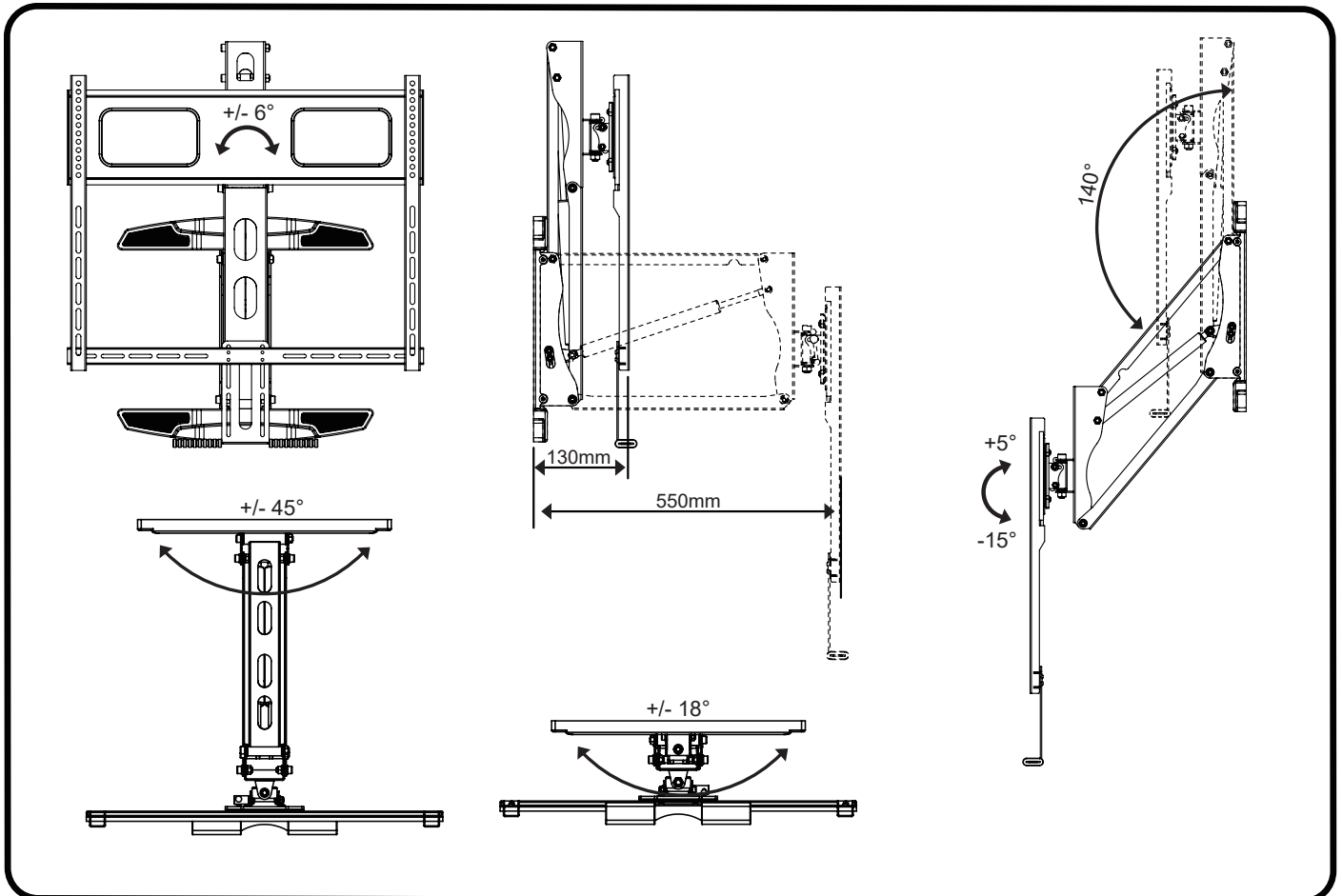
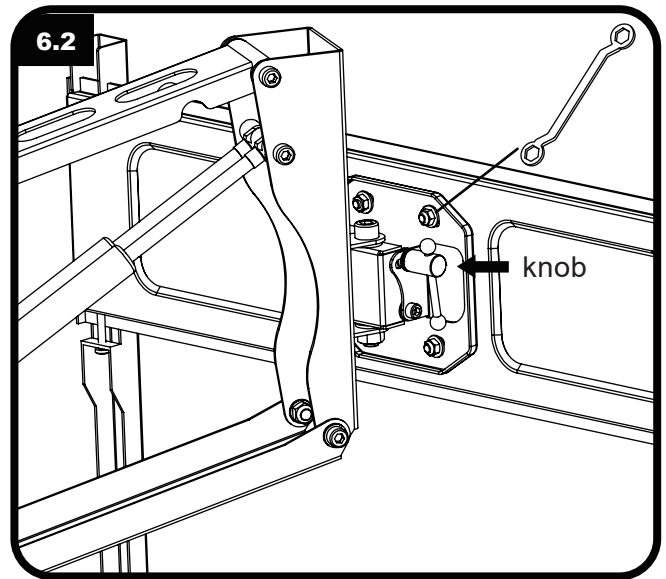
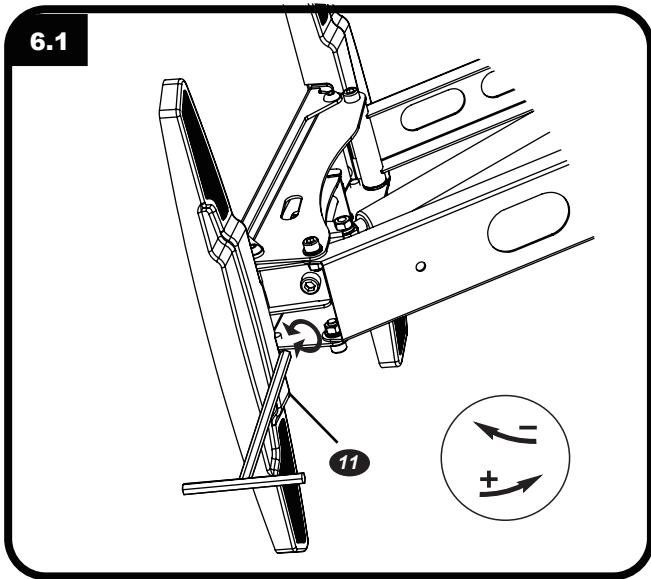
Adjust the spring pressure to balance the weight of the display so that it can be easily moved and will maintain its position using either a ratchet wrench or the hex key **11** provided. (fig 6.1)

**Note:** To pull down the TV, pull the handles toward you. Do not pull the handles down.

## Tilt adjustment

Loosen the tilt lock knob on side, adjust the TV to desired view angle, then tighten the knob horizontal level adjustment.

Slightly loosen the four nuts counterclockwise. Hold TV and gently turn to desired position. When level, re-tighten the nuts to lock in the position. (fig 6.2)





**For additional benefits:**

**Scan to  
register your  
product warranty**



**or go to: [register.manhattanproducts.com/r/461825](https://register.manhattanproducts.com/r/461825)**